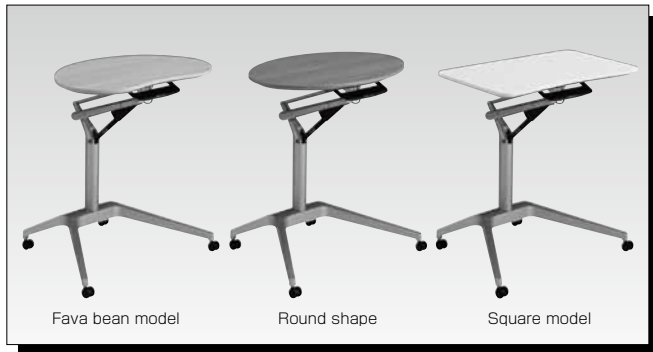


Conference meeting table

# Risefit II

## Instructions for Use

Thank you for purchasing Okamura "Risefit II" product.  
This guidebook will enable to properly use the "Risefit II" product.  
Thoroughly read this guidebook and fully understand its content  
before using the product. Also, we recommend having this handbook  
nearby whenever using the product.

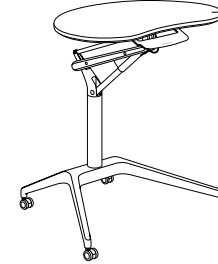


okamura

## Safety Instructions (Make sure to follow these instructions)

**⚠ Caution** Indicates that improper handling may cause injury or property damage.

### ■ Warning label explanation



- The aforementioned warning label is attached to this product in order to help prevent danger or harm to the life, body, and property of the product's user, so please abide by the warning items.
- Do not tear, damage, erase the text of, or remove the warning label.

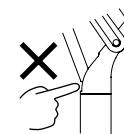
### ⚠ Caution

**Avoid handling the product roughly or using it for applications other than those specified.**

- Do not use this product as a platform to stand on or to transport things. This could cause it to overturn and lead to injuries.
- Gently place items onto the tabletop when doing so.

**Do not put your fingers or hands into the spaces or moving parts of the product. This could lead to injuries.**

- Do not touch the moving parts when moving the tabletop up or down. Your hands could become caught and injured.



**Take heed of the following items in order to prevent damage or collapsing of the product.**

- Do not lean against or sit on the table.
- Do not set heavy objects onto the corners of the tabletop.
- Do not move the product with items still placed on the tabletop.
- If the product has become unsteady due to loosening of the bolts or screws, retighten them.



- Do not use the product if any parts are separated from it.

**Do not disassemble or repair the product.**

- Disassembly or repairs by customers can be very dangerous, so instead contact our company's sales liaison.
- Do not use if the bolts or screws are loose. Doing so could cause the product to collapse and lead to injuries.

**Do not attempt to restructure the product.**

- Restructuring by the customer could lead to product malfunction. Also, our company is not responsible for any problems arising from such actions by the customer.
- If restructuring is necessary, contact our company's sales liaison in advance.

**Do not place any items onto the table that exceed its maximum loading mass.**

Loading part	Maximum loading mass
Tabletop	10kg (even distribution of mass)

- ※ Even distribution of mass refers to:  
The equal division of the weight of objects placed onto the tabletop. Disproportionate distribution of weight onto part of the surface will upset its balance and could cause it to collapse or fall over.

## Installation Instructions

We are not responsible for any malfunction resulted from failure to observe the following precautions.

### Use the product indoors.

- Do not use outdoors or places with water, as exposure to moisture could result in problems such as warping or the growth of mold.

### Avoid keeping the product in direct sunlight as this could result in warping or fading of colors due to exposure to the sun.

- Always use curtains, blinds, or the like to protect the product from direct sunlight when installing it next to windows or the like.

### Avoid placing the product in places exposed to high temperatures, humidity, or exceptional dryness as this can result in warping, color changes, or the growth of mold.

Avoid placing the product where it will be directly exposed to heat or moving air such as by stoves, air conditioners, or the like as this could result in warping or color changes.

### Install the product so that its level surface is maintained.

- Maintain the level surface of the main unit when installing the product. If the product is installed without its level surface maintained, the main unit may become skewed, resulting in malfunction of moving parts.
- Use the adjuster to adjust the surface so that it is level with the floor surface.

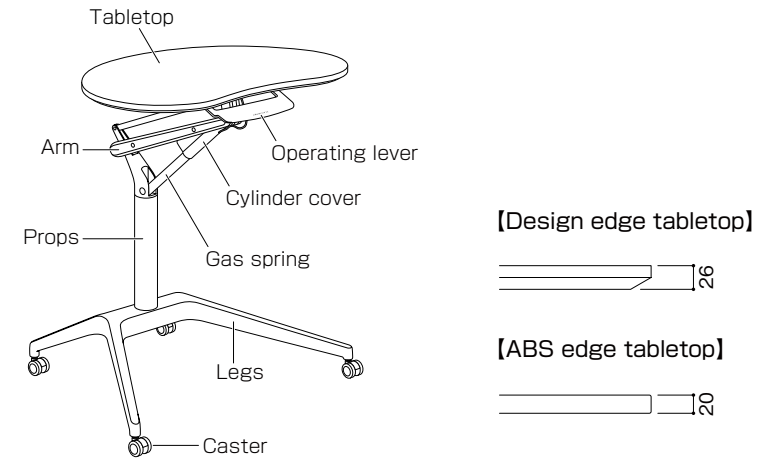
## Appropriate ventilation measures

- Many chemical substances will be released by the product when it is first purchased. Sufficiently ventilate or expose the product to moving air for some time after purchasing it.
- Do not completely close windows when using the product in rooms with conspicuously high temperatures/humidity (the benchmarks for these are temperatures in excess of 28°C and relative humidity in excess of 50%).

## List of product

Tabletop type	Props / legs type	Fava bean model	Round shape	Square model
Design edge tabletop	Black / Brack	MS91BE	MS91BF	MS91BG
	White / Polish	MS91LE	MS91LF	MS91LG
	Black / Polish	MS91ME	MS91MF	MS91MG
	Silver metallic / Silver metallic	MS91SE	MS91SF	MS91SG
	White / White	MS91WE	MS91WF	MS91WG
ABS edge tabletop	Black / Brack	MS91BL	MS91BM	MS91BN
	White / Polish	MS91LL	MS91LM	MS91LN
	Black / Polish	MS91ML	MS91MM	MS91MN
	Silver metallic / Silver metallic	MS91SL	MS91SM	MS91SN
	White / White	MS91WL	MS91WM	MS91WN

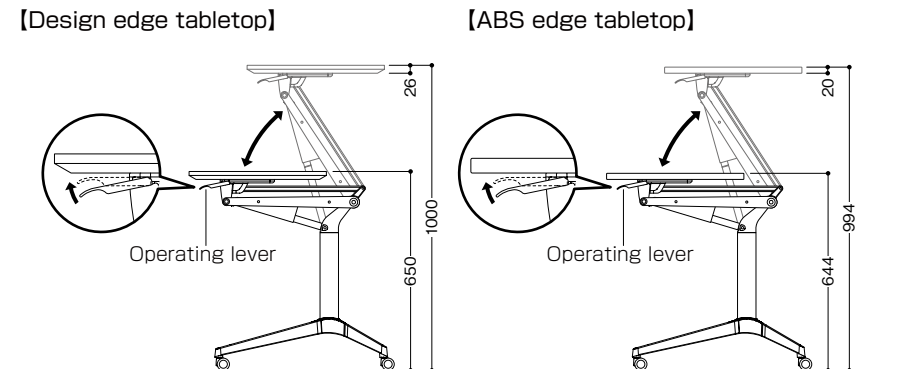
## Names of Parts



## Operation guide

### Tabletop height adjustment

The tabletop height can be adjusted by raising the operating lever and releasing the lock. The possible adjustment range for the design edge tabletop is 650~1000mm, and 694~994mm for the ABS edge tabletop.



### Caution

- Do not touch the moving parts when raising or lowering it or it. Your hands could become caught and injured.
- Do not place more than 10 kg onto the tabletop. This could damage the gas spring.

## Instructions to Extend the Life of Product

We are not responsible for any malfunction resulted from failure to observe the following precautions.

### Instructions for Use and Maintenance

- If the product has become unsteady due to loosening of the bolts or screws during use, retighten them immediately.
- Do not use knives or other sharp items directly on the surface of the tabletop. This could lead to injuries or damage to the product.
- Do not use in places exposed to vapors. This could cause rusting.
- If water has spilled onto the surface, wipe it away with a dry, soft cloth.
- If you have spilled tea, coffee, detergent, chemicals, or the like onto the product, wipe them away immediately.
- This instruction manual is very important, so store it in an easily accessible location.
- Frequent maintenance of the product during its use is the key to making it last a long time. Immediately request inspections and repairs (fee required) from our company when the warranty period has expired.
- Do not directly place hot items onto the product. This may leave white markings on the surface.



### Care

#### Regular care.

- For regular care wipe the chair with a soft, dry cloth.

#### Care precautions.

- Use commercial cleaners and the like after confirming that there has been no discoloration or the like to its inconspicuous parts.

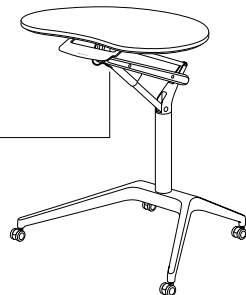
#### Care when the product is very dirty.

- Dampen a soft cloth with a diluted (1~3%) neutral detergent solution, thoroughly wring out the cloth, and then wipe away the dirt. Afterwards, dry-wipe the product with a dry, soft cloth so that no detergent is left behind.

## Product code label

This product is affixed with a product code label inscribed with the product code and the like. Check the contents of the label when making inquiries or reordering the same kind of product.

okamura	
Product	○○○○
Dimensions	○○○ ○○○
Model Code	○○○○ ○○○
Lot No.	○○○○○○



## Materials

Part		Main materials
Design edge tabletop	Surface materials	Decorative melamine laminate
	Core materials	MDF
	Rear surface materials	Olefin type sheet
	Edging materials	Olefin type resin
ABS edge tabletop	Surface materials	Decorative melamine laminate
	Core materials	Particleboard
	Rear surface materials	Melamine resin plate
	Edging materials	ABS resin
Supporting base		ALM molded product
Operating lever		ABS >ABS<
Arm		ALM molded product
Props		Steel pipe
Legs	Painted legs	ALM molded product
	Polished legs	—
Caster	Main unit	Polyamide >PA<
	Wheel outer circumference part	Polyurethane
	Axle part	Steel

※>○○< indicates the materials of the parts. This information is useful when recycling.

※ Please understand that product specifications might change without prior notification when improvements are made to the product.

okamura

OKAMURA CORPORATION

INTERNATIONAL SALES & MARKETING DIVISION  
 2-14-27, Akasaka, Minato-ku, Tokyo 107-0052, JAPAN  
 Tel : +81-3-5561-4085 Fax : +81-3-5561-4086  
<http://www.okamura.jp>

000000  
 2011-04